

MBA-6 ALARM BELL INDOOR/OUTDOOR USE



Front View



Rear View

An aluminum die cast housing covers the operating part of this bell. Therefore the bell is suitable for both indoor and outdoor applications.

A high quality micro-motor serves as the operating part. It provides reliable performance and an extremely long lifetime is assured.

The micro-motor operates with a low starting voltage and very low current consumption.

Use with Model: BBX-4 back box for a complete weatherproof application.

Specifications

Model No.	MBA-6
Rated Voltage	24VDC
Rated Current	12.1mA
Usage Voltage	19.2 ~ 26.4
Indoor Sound Output (at 1m)	87 dB min

MBA

ALARM BELL

INSTALLATION INSTRUCTIONS



Audible Signal Appliance
FIRE ALARM SERVICE



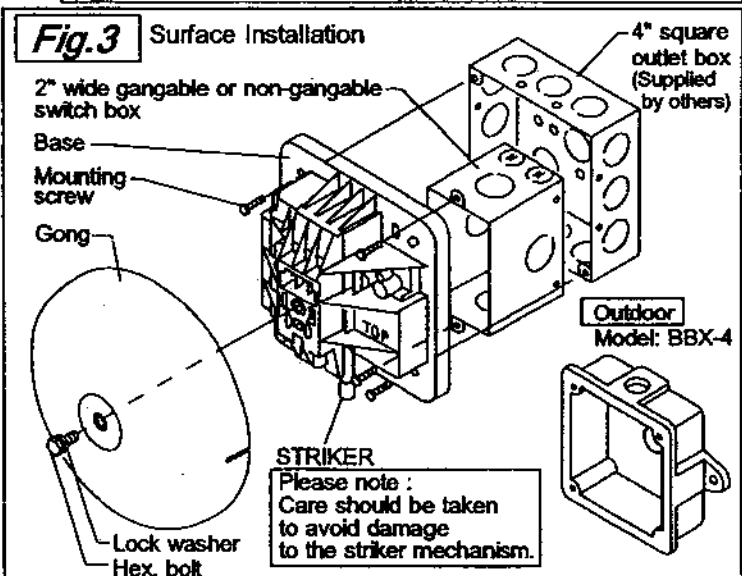
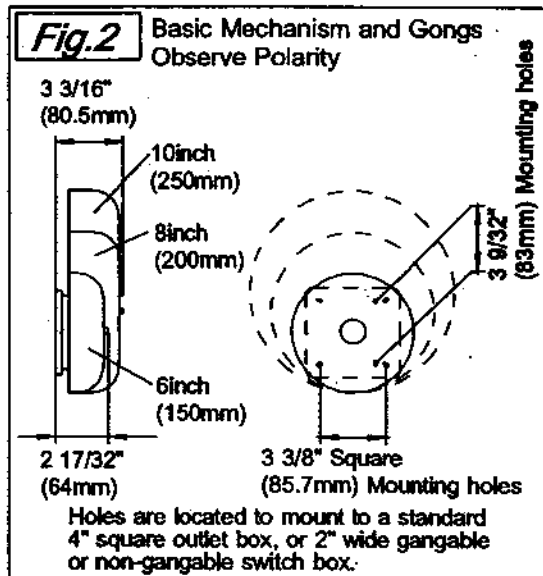
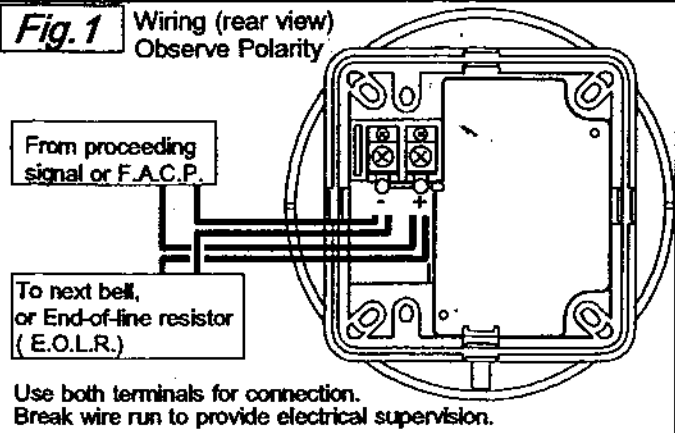
INDOOR/OUTDOOR · WALL MOUNT ONLY

Instruction No. MBA6-H1009 001109 a

Installation Note

1. Remove the gong
2. Wire the bell in the circuit. Refer to Fig.1.
3. Mount the base on a 4" square or 2" wide electrical box with the striker facing down. Refer to Fig.3.
4. Replace the gong.

*Note : The top of the bell must be mounted a minimum of 90" above the floor. or within 6" of the ceiling



Specifications

Model #	Voltage	16VDC				24VDC					33VDC			
		UL		Typical		UL		ULC	Typical		UL		Typical	
		DC mA	FWR mA	dB	dB	DC mA	FWR mA	dB	dB	dB	DC mA	FWR mA	dB	dB
MBA-6	6inch	7.0	8.0	77	81	12.1	12.4	83	85	87	13.5	24.2	85	89
MBA-8	8inch	13.0	15.6	76	80	25.0	30.6	83	85	87	40.0	43.9	86	90
MBA-10	10inch	11.0	13.6	79	83	23.0	26.8	84	85	91	34.0	46.0	87	91

UL Spherical dB Measurement

Sound level measurement are made in accordance with UL standard 464. The sound power output is measured in a reverberant room qualified for pure tones under methods for the Determination of Sound Power Level of Small Sources in Reverberation Rooms. ANSI S1.21. bell shall be capable of providing a sound output equivalent to that of an omni-directional source with an A-weighted sound pressure level of at least the level specified in the unit marking but not less than 75 decibels in any case.

Indoor/Outdoor Measurement

Sound level in the indoor/outdoor installation may vary depending upon the spaces. Typical dB measurements with conventional sound level meters will be significantly higher in actual installations. UL and ULC dB values have different sound output measurement and calculation methods.

Note

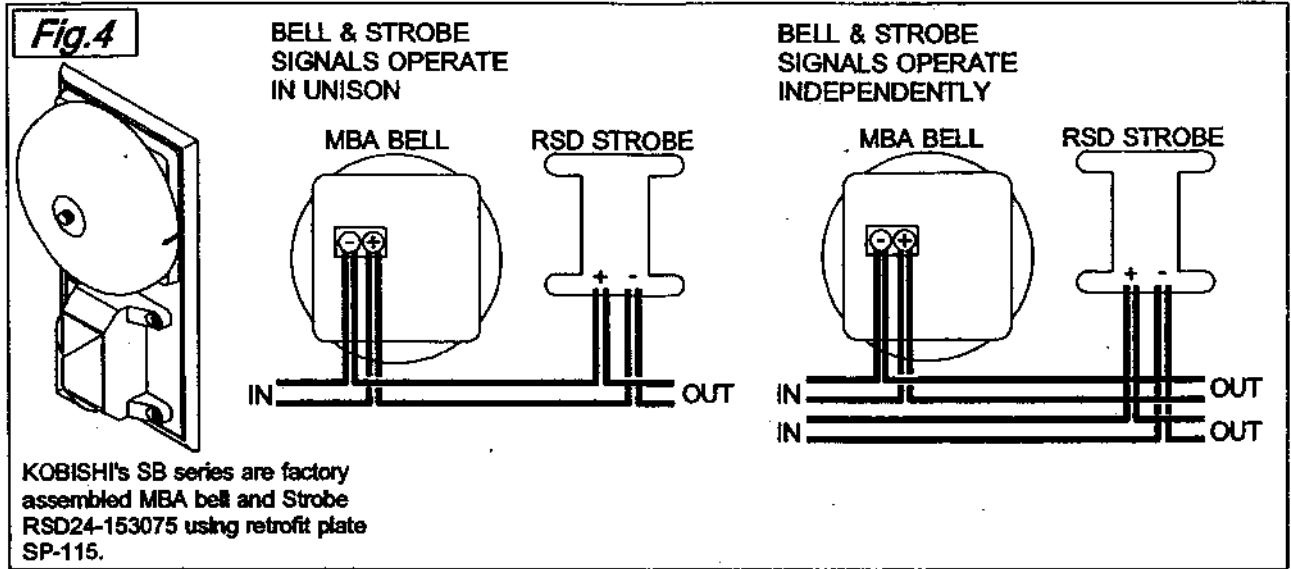
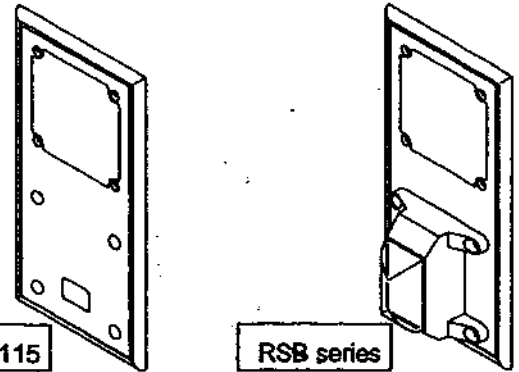
Upon completion of initial installation. All bells shall be tested per NFPA 72. periodic testing should be performed at least annually. Test more often if required by the authority having jurisdiction.

Installation Note

The retrofit plates SP-115 or RSB series strobe allow to operate bell/strobe combination in the field.

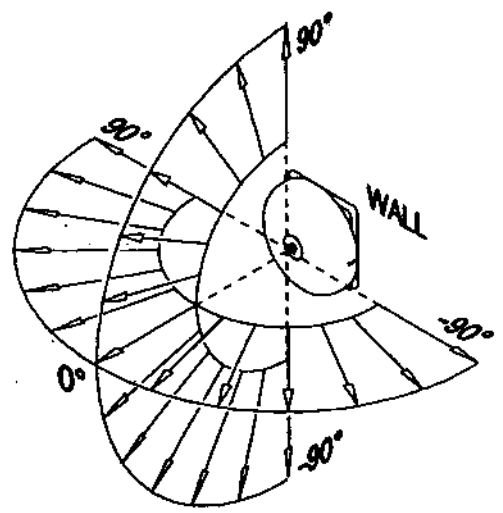
The plates available in red or white color.

For customer's convenience, the factory assembled models are available as per Fig.4.



Typical Horizontal Vertical Dispersion

Horizontal				Vertical			
Angle	6" [dB/m]	8" [dB/m]	10" [dB/m]	Angle	6" [dB/m]	8" [dB/m]	10" [dB/m]
-90	-5.1	0.3	3.4	90	-4.2	0.5	2.0
-75	-4.3	0.8	4.8	75	-0.5	0.8	2.6
-60	-1.9	1.8	4.5	60	2.2	1.0	3.8
-45	1.4	0.8	1.3	45	-2.2	-0.5	2.8
-30	-3.4	-0.6	-1.0	30	-3.7	-1.2	0.2
-15	-4.5	-2.1	0.0	15	-0.9	-3.4	-0.3
0	0.0	0.0	0.0	0	0.0	0.0	0.0
15	-4.0	-0.9	0.8	-15	-0.4	0.3	-0.3
30	-3.0	-3.3	-1.3	-30	-1.2	-0.4	0.8
45	-1.5	-0.4	1.9	-45	-4.4	3.1	3.0
60	-2.9	1.8	2.9	-60	-5.0	2.0	6.0
75	-2.1	1.8	2.9	-75	-5.0	2.2	3.9
90	-1.8	-1.0	2.9	-90	-5.9	0.5	2.3



Note : RSD series strobe is listed under UL1971 and exceeding on-axis 75 candela intensity for ADA guidelines.