



Description

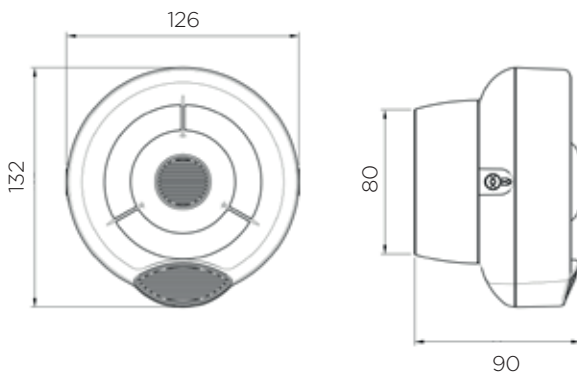
The CWS100 Conventional Wall Sounder forms the core of our modular alarm device range. The unit can either be used as a standalone conventional device or as an intelligent unit by the addition of a wired module (FDALWSMOD) or wireless module (FDSGWSMOD).

All devices are weather proof, therefore this combined with the modular approach means the majority of applications can be achieved with very few stock components. The unit is equipped with 3 levels of volume adjustment and 32 recognised tones which can be set via the control equipment or locally at the sounder.

Key features

- > Flexible modular design, compatible with Teledata intelligent & wireless modules
- > 5 year product warranty
- > 3rd party approval to EN54-3 (Type B)
- > 32 Tone Settings
- > Two stage alarm capability
- > Weatherproof as standard
- > Easy to install
- > High sound output capability
- > On site adjustable volume settings
- > Microphone self test facility
- > Robust with high reliability

Technical information



Note: Also available in white.
 Functionality is dependant on the control equipment and module selection.
 Certified device performance may vary depending on the approval body.

Teledata

20063 Cernusco sul Naviglio (MI) - Via Brescia 24 G - Italy
 Tel.: +39 02 27 201 352 - +39 02 25 92 795 | mail: info@teledata-i.com



Technical specification

| | |
|------------------------------------|---------------------------|
| Power supply voltage range | 15Vdc - 40Vdc |
| Activated current load (High Vol.) | 5-8 mA at 24 Vdc |
| Acoustic Frequency range | 400-2900 Hz |
| Maximum acoustic Output | 100 dB(A) @ 1m |
| Operating temperature range | -25°C to +70°C (no icing) |
| Unit weight (inc Back box) | 290g |
| Max humidity (non condensing) | 95% RH |
| Ingress Protection | Designed to meet IP |

Standards & approvals

- > BS EN 54-3 (Type B): Fire Alarm Device, Sounders